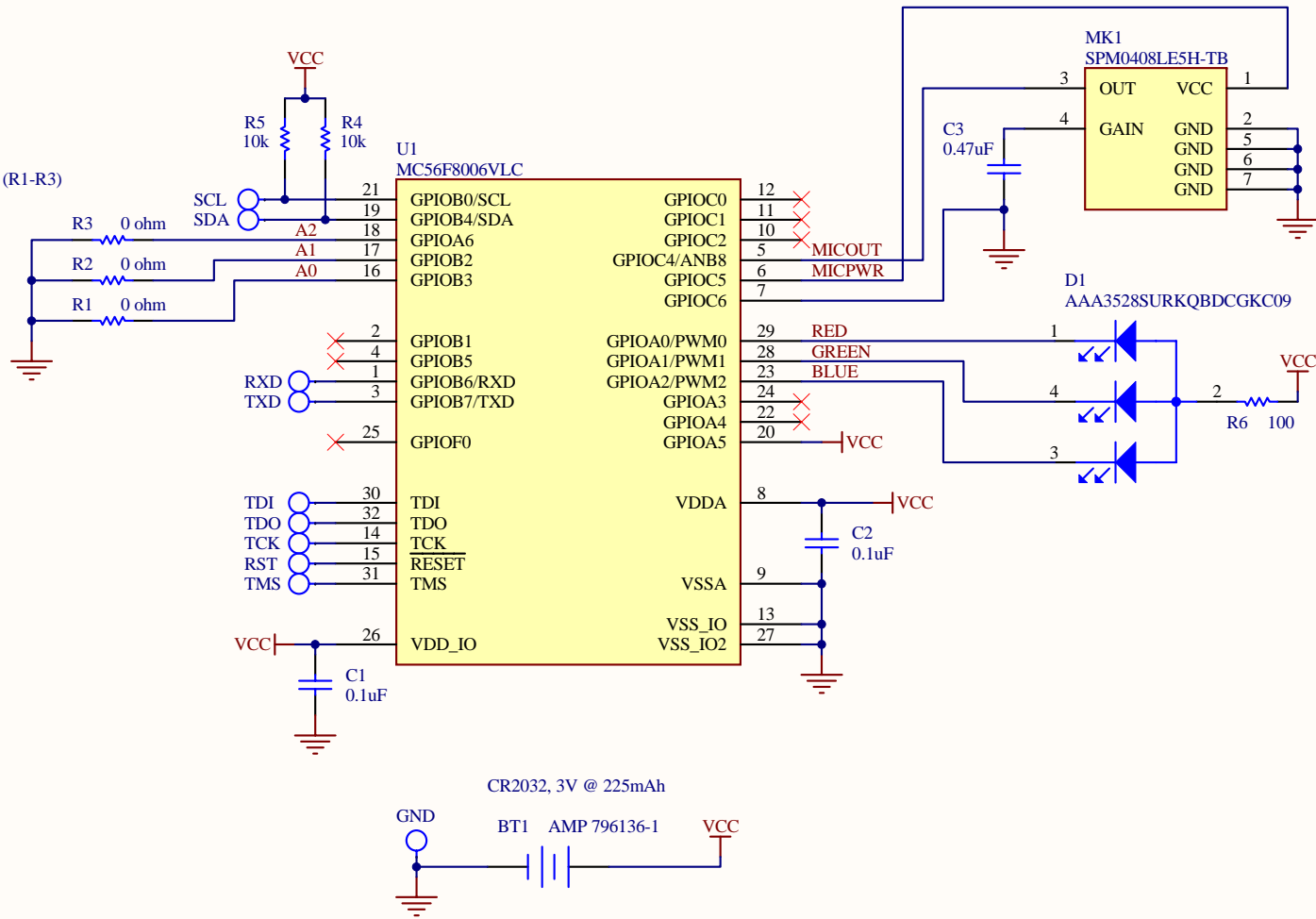


Badge Address Selection (R1-R3)

- Human = DNP
- Speaker = R1
- Press = R2
- Goon = R1, R2
- Contest = R1, R3
- Vendor = R2, R3
- Uber = R1, R2, R3



NOTE: RESISTORS ARE IN OHMS +/- 5% AND CAPACITORS ARE IN MICROFARADS, X7R UNLESS OTHERWISE NOTED. SEE BOM FOR ACTUAL VOLTAGE AND SPECIFICATION.



TITLE					
DEFCON 17 Badge					
DATE	FILENAME	SIZE	DRAWN BY		REV
6/3/2009		A	SHT 1 OF 1	Joe Grand (Kingpin)	1.1